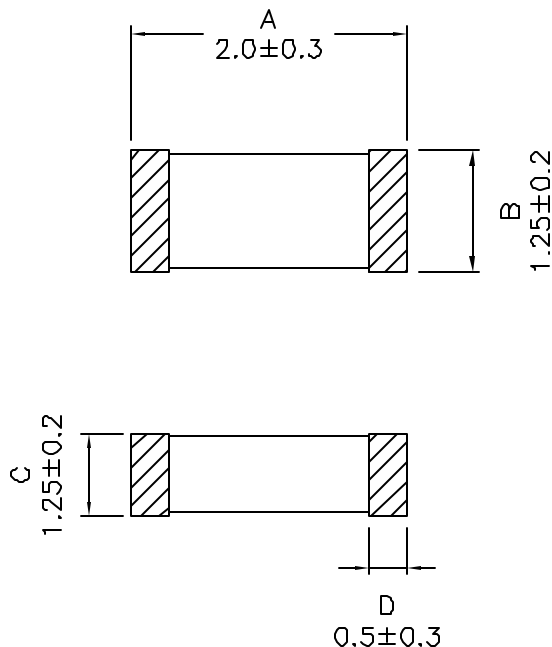


### 1. Mechanical Dimension



### 2. Electrical Specifications: @25°C

OCL: 3.3uH ± 10% @ 10MHz

Q: 45 Min @ 10MHz

DCR: 0.80 Ohms Max

SRF: 59MHz Min

I<sub>dc</sub>: 30mA Max

Notes:

1. Solderability: Leads shall meet MIL-STD-202, Method 208D for solderability.
2. Flammability: UL94V-0
3. ASTM oxygen Index: > 28%
4. Insulation System: Class F 155°C. UL file E151556
5. Operating Temperature Range: All listed parameters are to be within tolerance from -40°C to +85°C
6. Storage Temperature Range: -55°C to +125°C
7. Aqueous wash compatible
8. SMD Lead Coplanarity: ±0.004"(0.102mm)
9. Moisture Sensitivity: Level 2
10. Electrical and mechanical specifications 100% tested
11. RoHS Compliant Component

DOC. REV: A/1

<b>XFMRs Inc</b> www.XFMRs.com		Title: Multi Layer Chip Inductor	
UNLESS OTHERWISE SPECIFIED TOLERANCES: N/A	P/N: XFEI201212-3R3K		REV. A
	DWN.	李小锋	Oct-29-04
Dimensions in MM	CHK.	廖玉坤	Oct-29-04
SHEET 1 OF 1	APP.	J Ng	Oct-29-04